

Metal Wafer Type Motorized Butterfly Valve Features

- Adopting circular arrow mark, the pointer can indicate valve position accurately.
- Easy disassembly and convenient maintenance
- Compact size suits for small equipment

Applications

- Environmental protection, water supply and drainage, water treatment engineering
- HVAC

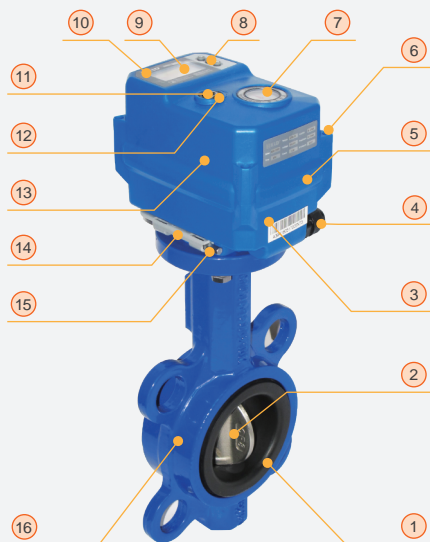
Certification: CE, ISO9001, MA, AL



200N normal model

500N normal model

200C Smart Metal Wafer Type Motorized Butterfly Valve Main Components Diagram

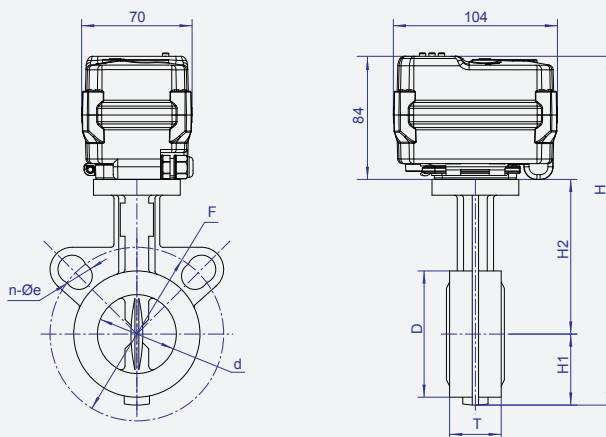


Main Components

NO.	Parts	Material	Qty
1	Disc seal	EPDM/FPM/NBR	1
2	Disc	304/316/Iron coated Nylon	1
3	Bottom cover	Heatproof ABS/Casting aluminum	1
4	Cable connector	Nylon/Nickel-plated brass	1
5	Lid seal	NBR	1
6	Screws	304	4
7	Indicator	Transparent AS	1
8	Key ※	Rubber	3
9	Screen ※	OLED	1
10	Label	PVC	1
11	Manual shaft	304	1
12	Oil seal	NBR	1
13	Top cover	Heatproof ABS/Casting aluminum	1
14	Wrench fixed	Heatproof ABS	1
15	Hexagon wrench	Tool steel	1
16	Valve body	Casting aluminum	1

※ Normal on/off model no key and 1.3-inch OLED screen.

Dimension 【200C, DN25-32 — DN65】



Connection Size (unit: mm)

DN	d	H1	H2	H	D	F	T	n-φe	W(Kg)
25-32	40	41	92	217	70	100	32.7	2-φ17	
40	50	45	98	227	80	110	32.7	2-φ17	
50	60	70	130	284	94	125	42	4-φ18	
65	78	76	143	303	110	145	45	4-φ18	

500C Smart Metal Wafer Type Motorized Butterfly Valve Main Components Diagram

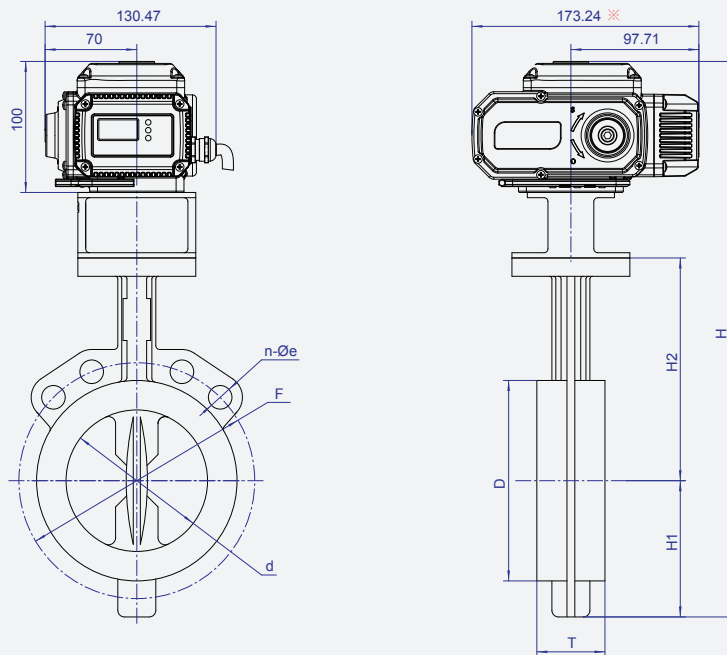


Main Components

NO.	Parts	Material	Qty
1	Disc seal	EPDM/FPM/NBR	1
2	Disc	304/316/Iron coated Nylon	1
3	Coupling	304	1
4	Terminal block	Heatproof ABS	1
5	Label	PVC	1
6	Key ※	Rubber	1
7	Screen ※	OLED	1
8	Screws	304	17
9	Indicator	Tempered glass	1
10	Oil seal	NBR	1
11	Manual shaft	304	3
12	Hexagon wrench	Tool steel	1
13	Bracket	304	1
14	Valve body	Casting aluminum	1

※ Normal on/off model no key and 1.3-inch OLED screen.

Dimension 【500C, DN80/DN100】

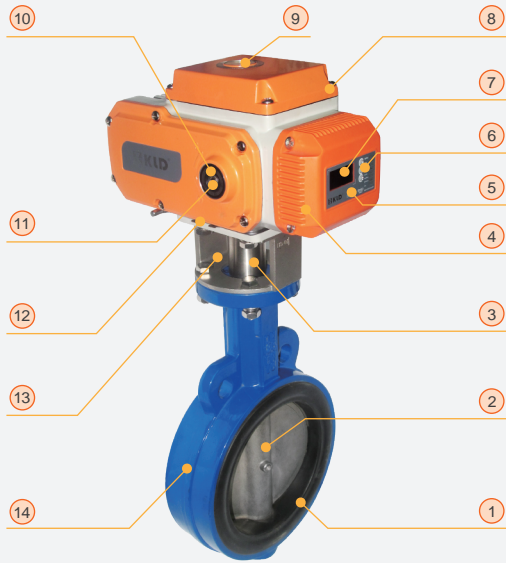


Connection Size (unit: mm)

DN	d	H1	H2	H	D	F	T	n-φe	W(Kg)
80	96	89	155	379	121	160	45	4-φ18	
100	108	104	170	424	153	180	52	4-φ18	

※ The length of 500N actuator is 156.25mm.

1000C Smart Metal Wafer Type Motorized Butterfly Valve Main Components Diagram

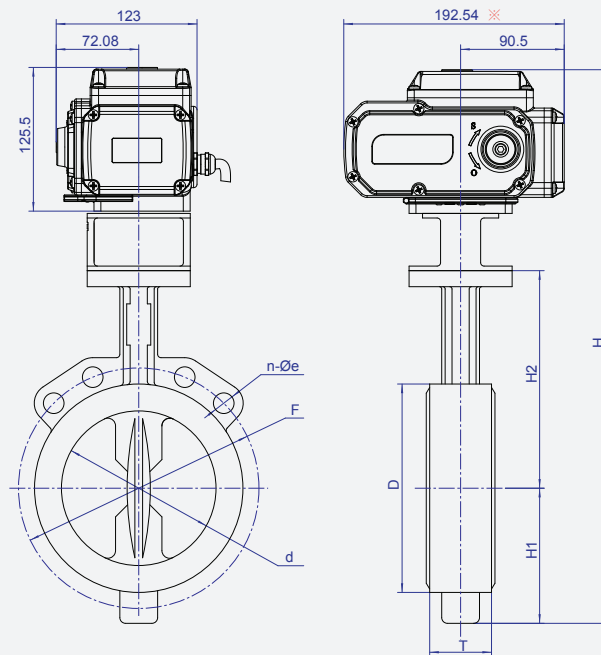


Main Components

NO.	Parts	Material	Qty
1	Disc seal	EPDM/FPM/NBR	1
2	Disc	304/316/Iron coated Nylon	1
3	Coupling	304	1
4	Terminal block	Heatproof ABS	1
5	Label	PVC	1
6	Key ※	Rubber	1
7	Screen ※	OLED	1
8	Screws	304	17
9	Indicator	Tempering glass	1
10	Oil seal	NBR	1
11	Manual shaft	304	3
12	Hexagon wrench	Tool steel	1
13	Bracket	304	1
14	Valve body	Casting aluminum	1

※ Normal on/off model no key and 1.3-inch OLED screen.

Dimension 【1000N, DN125/DN150】



Connection Size (unit: mm)

DN	d	H1	H2	H	D	F	T	n-φe	W(Kg)
125	135	118	190	483.5	182	210	54	4-φ18	
150	150	132	210	517.5	209	240	56	4-φ18	


※ The length of 1000C actuator is 209.54 mm.

Electrical Parameters

Series type	Rated torque @rated voltage	Rated voltage	Available voltage range	Run/static power consumption @rated voltage	Peak crurent @rated volatage @5ms	External fuse specification	Running time (Per 90°) ※	Optional control mode
KLD-200N	15N.m	DC24V	DC22V-28V	36W/0.25W	1.5A	3A	10S@Power up 15S@Power down	KT32 or KT32S
		AC110V	AC90V-130V	40W/1.6W	90mA	1A		
		AC230V	AC190-250V	40W/1.6W	90mA	1A		
	20N.m	DC12V	DC10-14V	3.5W/0.3W	1A	2A	10S	B3 BD3 B3S BD3S
		DC24V	DC22V-28V	15W/0.1W	1.2A	2A	15S	
		AC24V	AC18V-26V		0.5A	2A		
AC110V	AC90V-130V	135mA	1A					
KLD-500N	50N.m	DC24V	DC22V-28V	60W/1.5W	2.5A	5A	10S	B3S BD3S
		AC24V	AC22V-28V	50W/1W	3A	5A	20S	
		AC110V	AC90V-130V		1A	2A		
		AC230V	AC190-250V		0.5A	2A		
KLD-1000N	100N.m	DC24V	DC22V-28V	60W/1W	3.5A	5A	10S	B3S BD3S
		AC24V	AC22V-28V	80W/1W	3.5A	5A	30S	
		AC110V	AC90V-130V		1.5A	3A		
		AC230V	AC190-250V		0.6A	2A		
KLD-2000N	200N.m	DC24V	DC22V-28V	180W/1W	4A	10A	10S	B3S BD3S
		AC110V	AC90V-130V	150W/1W	2A	5A	30S	
		AC230V	AC190-250V		1A	5A		
KLD-4000N	400N.m	DC24V	DC22V-28V	240W/1W	5A	10A	10S	B3S BD3S
		AC110V	AC90V-130V	200W/1W	2.5A	5A	30S	
		AC230V	AC190-250V		2A	5A		

※ Since the running time is affected by the valve body, it is considered to be qualified within ± 3s.

Function Parameters

The valve ball rotation Angel	90°
Protection grade	IP67 or F Type
Manual function	Standard (Manual override is only permitted to be used when power is cut)
Indicator	

Working Conditions

Ambient temperature	-20 ——60
Ambient humidity	Relative humidity≤85% ---- Suitable for IP67
	Relative humidity > 85% ---- Suitable for F Type
Medium temperature	0-100
Medium pressure	≤1.0MPa

※ It needs to be customized if working medium pressure is over 1.0MPa.